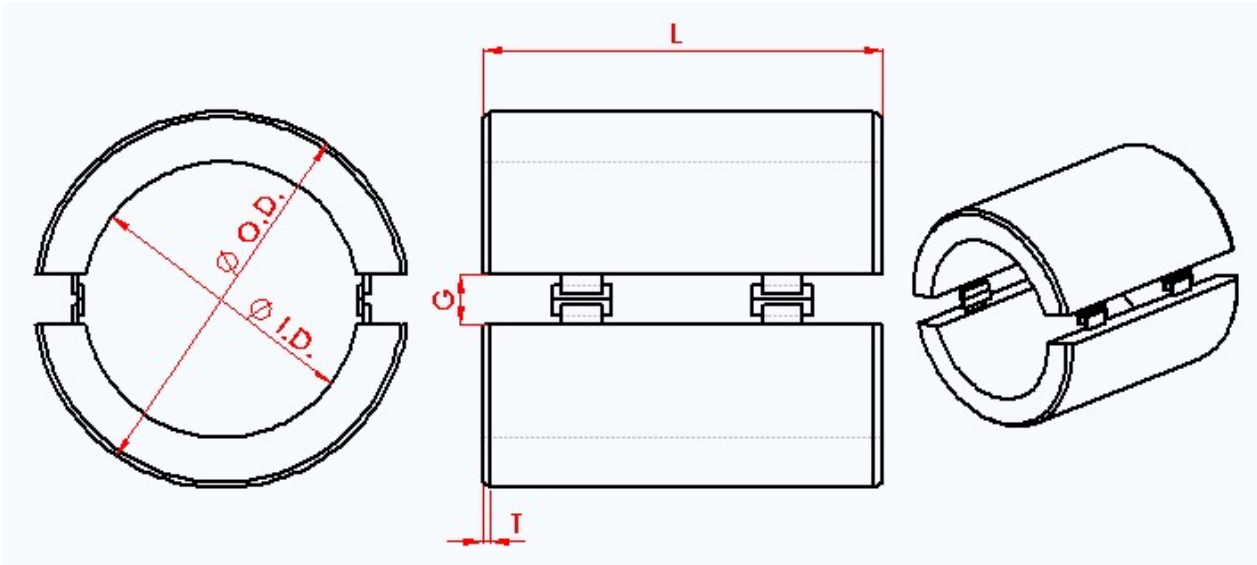


Phone: 01224 635435 Fax: 01224 624377
 e-mail: [sales @ aberdeenfoundries.co.uk](mailto:sales@aberdeenfoundries.co.uk)
 Website: www.aberdeenfoundries.co.uk

Bracelet Anodes Data Sheet –Examples of Sizes



Pipe Size	Internal Diameter	External Diameter	Length	Gap (typ)	Nett Weight	Gross Weight
(inches)	mm	mm	mm	mm	Kg	Kg
6.625	170	250	368	50	18	21
8.625	221	301	343	50	24	28
10.75	275	355	348	50	32	37
10.75	275	355	660	50	62	67
10.75	275	375	419	50	50	56
10.75	275	375	394	50	47	52
12.75	326	426	394	50	57	63
12.75	326	426	305	50	43	49
12.75	326	426	419	50	60	66
12.75	326	426	508	50	74	80
12.75	326	426	622	50	91	97

**Aluminium and Zinc Castings • Aluminium Offshore Anodes • Zinc Hull Anodes • Al Hull Anodes
 Oil & Gas Downhole Products : Centralisers and Clamps • Tank & Pipeline anodes • Ballast
 Rubber products : Fishing Net Spacers, bobbins & hoppers • Rubber bonding: Liners & Sheaves**



23 - 41 Willowdale Place, Aberdeen, AB24 5AQ

Phone: 01224 635435 Fax: 01224 624377
 e-mail: [sales @ aberdeenfoundries.co.uk](mailto:sales@aberdeenfoundries.co.uk)
 Website: www.aberdeenfoundries.co.uk

Pipe Size	Internal Diameter	External Diameter	Length	Gap (typ)	Nett Weight	Gross Weight
inches	mm	mm	mm	mm	Kg	Kg
16	409	509	305	50	55	62
16	409	509	419	50	76	84
16	409	509	508	50	93	100
16	409	509	622	50	114	122
18	460	560	305	50	61	70
18	460	580	305	50	76	84
18	460	610	305	50	98	107
20	511	611	152	60	32	41
20	511	611	305	60	67	77
20	511	611	419	60	94	103
20	511	611	508	60	115	124
20	511	611	622	60	141	151
24	613	713	406	75	108	119
24	613	713	305	75	80	91
24	613	702	358	75	83	94
24	613	773	406	75	184	195
24	613	803	305	75	167	178

- All weights and dimensions are nominal. Steel F/B inserts weldable EN10025 S275 Steel, Shot-blasted to Sa 2.5. All can be drilled for bolted attachment. Manufactured to DNV RP B401 and NACE RP 0387-90 or 0492-99

Alloy

AF Al-Zn-In-Si anode alloy G3

Fe	Si	Cu	Zn	In	Others	Al
0.12 max.	0.08-0.21	0.006 max.	2.8 – 6.5	0.01 – 0.02	0.02 max	remainder

Potential –1.07 Volts Ag/AgCl Capacity (Amp Hrs) 2600 per Kg

Bracelets also available for *flexible pipes* or in retrofit style. All sizes also available in Military Zinc Anode Alloy.

‘Defender’ aluminium sacrificial anodes can be custom designed to suit your application. We offer a selection of alloys, dimensions and inserts to suit your corrosion protection and fabrication requirements.

**Aluminium and Zinc Castings • Aluminium Offshore Anodes • Zinc Hull Anodes • Al Hull Anodes
 Oil & Gas Downhole Products : Centralisers and Clamps • Tank & Pipeline anodes • Ballast
 Rubber products : Fishing Net Spacers, bobbins & hoppers • Rubber bonding: Liners & Sheaves**

1st Point FPAL 41499

A Division of Polymer Holdings Registered in Scotland No. 89577