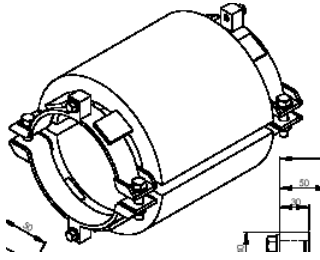


AF 'Defender' Aluminium Bracelet Anodes

Examples

Anode Code	Design Examples	Anode ID (mm)	Anode OD (mm)	Overall Length (mm)	Anode Weight (kg) Net/Gross
					
AFA B275		235	335	300	27.5
AFA B300		153	233	500	30
AFA B339		169	255	500	33.9

Enclosed are examples only and All anodes are designed to suit your requirements

All weights and dimensions are nominal
Offshore Anodes and other anodes available in flush or stand-off designs

Material Specification:
AF Defender G3 AF Al-Zn-In-Si anode alloy

Fe	Si	Cu	Zn	In	Others	Al
0.12 max.	0.08-0.21	0.006 max.	2.8 – 6.5	0.01 – 0.02	0.02 max	remainder

Potential -1.09^* Volts Ag/AgCl Capacity (Amp Hrs) 2540* per Kg min Density 2750Kg/m³
* AFDefender G3 alloy performance Data for long term test by DNV Certificate No S-4190 to DNV RP B401 App B

Call us on 01224 635435 for all your anode requirements.
Website: www.aberdeenfoundries.co.uk

Fax: 01224 624377

*Aluminium and Zinc Castings • Aluminium Offshore Anodes • Zinc & Al Marine Hull Anodes
• Tank Anodes • Pipeline Anodes • Down-hole Centralisers and Clamps • Ballast Weights*